

PKP-3500-SI-MT



CANbus KEYPAD WITH 2 ROTARY ENCODERS

PKP-3500-SI-MT is a new direction in CANbus keypads. This all new design comes equipped with thirteen push buttons with replaceable icon inserts, plus two rotary encoders that are also push enabled.

Thanks to four additional analog and digital inputs, it is possible to connect 5V sensors directly to the CANbus network through the keypad.

The compact layout and inclusion of the rotary encoders allows for significant dash space saving while expanding the functionality of the vehicle.

PKP-3500-SI-MTR

Includes 2 rotary encoders with a rubber knob that allows for a standard PKP-SI insert to be fitted.



PKP-3500-SI-MTP

Includes 2 rotary encoders with a solid plastic knob.



SOFTWARE FEATURES

CAN Keypad Addresses – Assign any valid CAN address to the keypad.

J1939 Address Claim Transmission – Keypads no longer have to be pre-programmed to a specific address. This enables customers that work in applications in the field without access to a GUI to use any replacement keypad on-hand. The keypad can be configured to automatically announce its address and accept a new address assignment as appropriate.

Event Status Transmission – The keypad can send messages to the BUS indicating a button press or a button release event has occurred.

This confirmation allows digital systems to have the same input acknowledgements as that of the latching position of a mechanical switch.

Periodic Status Transmission – The keypad sends a continuous broadcast of messages indicating the press or release status of each button at that instance. The frequency of these messages can be adjusted within a wide range.

Periodic Heartbeat – The keypad sends a continuous broadcast of messages indicating it is functioning correctly. The frequency of these messages can be adjusted within a wide range.

CANopen Communications Protocol – Fully compliant with Device Profile 401d.

HARDWARE FEATURES

4 additional 5V inputs - Allows the possibility to connect items such as analogue active sensors (such as pressure and temperature sensors), discrete switches (highside/lowside) and Hall Effect sensors.

Independent LED indicator lights – Each rotary encoder has 16 Blue LED light indicators, while all 13 pushbuttons are equipped with RGB LED rings. All LEDs can be independently programmed.

UV Protected – UVB 400 hours: Keypad is highly resistant to deterioration caused by exposure to sunlight.

The keypad's symmetrical design and spacing between keys makes it easier to install multiple keypads alongside one another.

STANDARD FEATURES

- Reconfigurable keys
- LED state & status configurable
- Vertical or horizontal mount
- LED backlit icons
- Multicolor indicator rings
- Laser etched icons
- ON/OFF, momentary, toggle & scroll
- Encoders

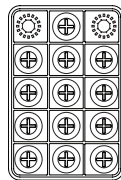
SOFTWARE FEATURES

- Change CAN keypad address independently
- Periodic status transmission
- Heartbeat
- Event status transmission
- LED acknowledgement
- Address claim transmission
- CANopen and J1939

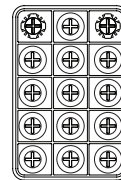
OTHER BENEFITS

- Programmer's manual available to help support
- Knob customization
- plug-and-play reconfigurability
- Encoder led colour customized

SPECIFICATIONS FOR STANDARD KEYPADS



PKP-3500-SH-MTP



PKP-3500-SH-MTR

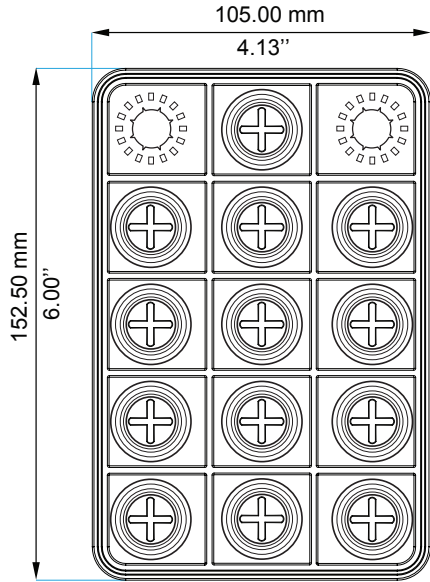
ELECTRICAL

Supply Voltage	12-24Vdc Nominal (8-32VDC)
Standby Current	<50 mA
Communication BUS	CANopen, J1939

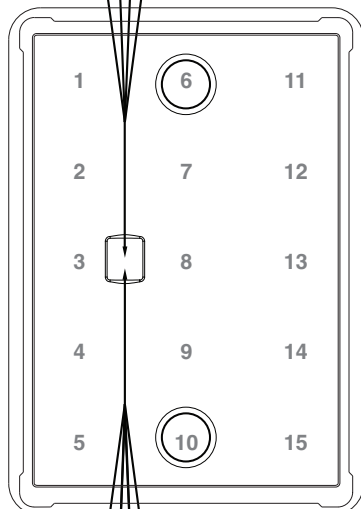
MECHANICAL

Connector	Deutsch DT04-4P + Molex 39-01-3069
Switch Life	3 million operations
Mounting Studs	#10-32 Steel
Keypad	Silicone rubber with polyurethane hardcoat
PC Board	1,6mm thick, Nema Grade FR-4, double clad with 1 oz copper
Operating Temperature	-40°C to +70°C
Storage Temperature	-40°C to +85°C
Thermal Shock	-40°C to +85°C According to table 2 of ISO16750-4
Humidity	0 to 98% (no condensation)
UV Protection	UVB 400 hours
Salt Spray	Per ASTM B117
Chemical Resistance	Deet, Engine Cleaner, Isopropyl Alcohol, Suntan Lotion, Multi-Purpose Cleaner, Orange Citrus Cleaner, Muriatic Acid
Weight	300 gr (Inserts excluded)

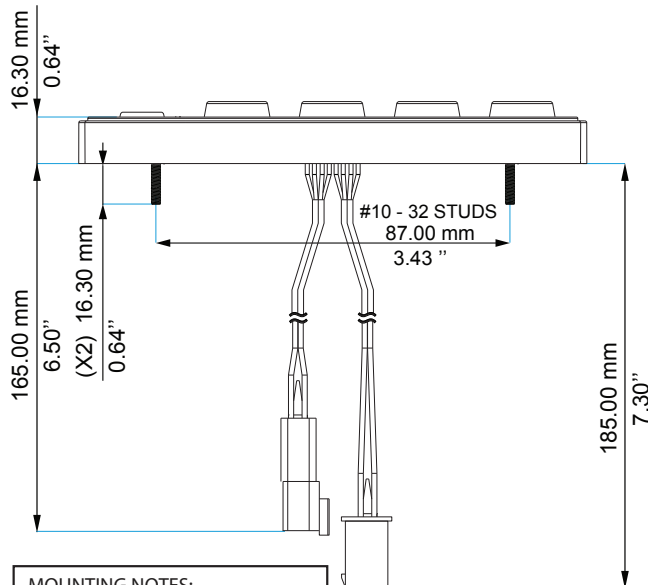
PKP-3500-MTX



BLACK=GROUND
RED=POWER
WHITE=CAN HIGH
BLUE=CAN LOW



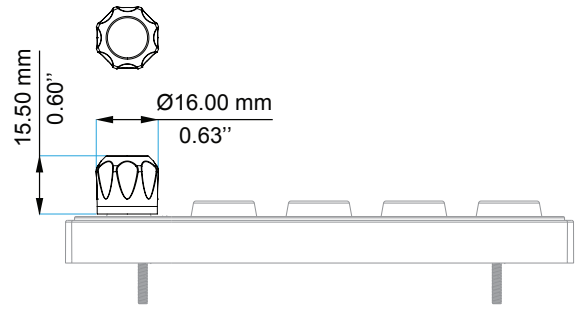
RED=POWER +5V
YELLOW=IN0
BLUE=IN1
GREY=IN2
GREEN=IN3
BLACK=GROUND



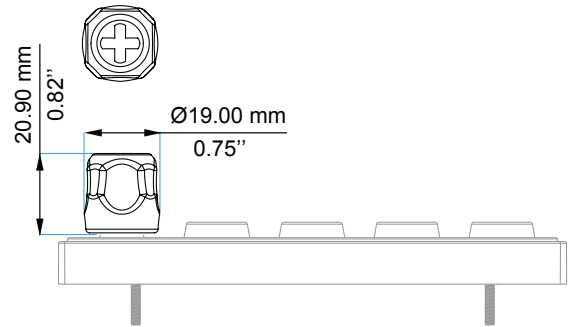
MOUNTING NOTES:
Nuts thread: #10-32
Maximum torque: 1,8Nm - 16lbf-in

NOTE: ALL CONNECTION WIRES ARE THE SAME LENGTH

PKP-3500-MTP



PKP-3500-MTR



CONNECTORS STANDARD PINOUT



WIRE SIDE

PIN	COLOUR	FUNCTION
1	Blue	CAN L
2	White	CAN H
3	Black	Negative battery
4	Red	Vbatt. (12-24V)



WIRE SIDE

PIN	COLOUR	FUNCTION
1	Red	Power +5V
2	Yellow	IN0
3	Blue	IN1
4	Grey	IN2
5	Green	IN3
6	Black	GND

The one illustrated above is the standard pinout; however, some keypads may be supplied with alternative pinouts or connectors.



Blink S.r.l.

Via Montefeltro, 6 - 20156 Milano - Italy

Tel. +39 02 3088583 - Fax +39 02 33406697

www.blinkmarine.com - info@blinkgroup.com

!WARNING! IMPROPER SELECTION, IMPROPER USE AND/OR FAILURE OF THE BLINK SYSTEMS PRODUCTS DESCRIBED HEREIN OR RELATED ITEMS CAN CAUSE DEATH, PERSONAL INJURY AND PROPERTY DAMAGE. This document and other information from Blink, provide product and/or system options for further investigation by users having technical expertise. It is important to analyze all aspects of the application, including consequences of any failure. Due to the variety of operating conditions and applications for these product(s), the manufacturer of the application is solely responsible for marking the final selection of the product(s) and assuring that all performance, safety and warning requirements of the application are met. The products described herein, including without limitation, product features, specifications, designs, availability and pricing, are subject to change by Blink at any time without notice.